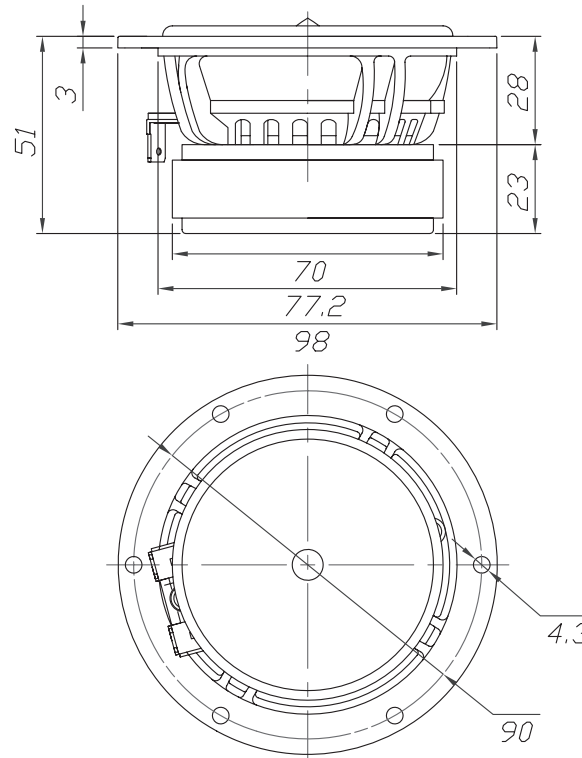


RS100-4

4" Reference Full-Range Driver 4 Ohm



Features

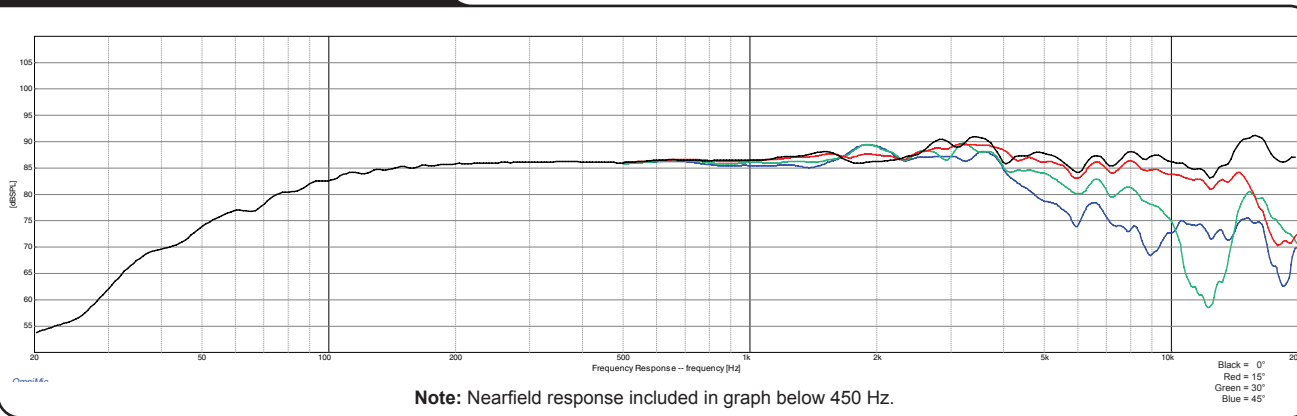
- Lightweight black anodized aluminum cone
- 4 ohm nominal impedance
- Attractive 6-hole cast frame
- Advanced low distortion motor design
- Solid aluminum phase plug
- Rubber surround
- Full-range capability

Parameters

Impedance (Ω)	4
Re (Ω)	2.96
Le (mH) @ 1 kHz	0.28
Fs (Hz)	82
Qms	2.55
Qes	0.66
Qts	0.53
Mms (g)	4.25
Cms (mm/N)	0.83
Sd (cm ²)	35.3
Vd (cm ³)	14.1
BL (Tm)	3.18
VAs (liters)	1.45
XMAX (mm)	4
VC Diameter (mm)	25
SPL (dB 2.83V/1m)	85.9
RMS Power Handling (w)	30
Usable Frequency Range (Hz)	82-20,000

Note: All dimensions in mm.

Frequency Response



Impedance/Phase

