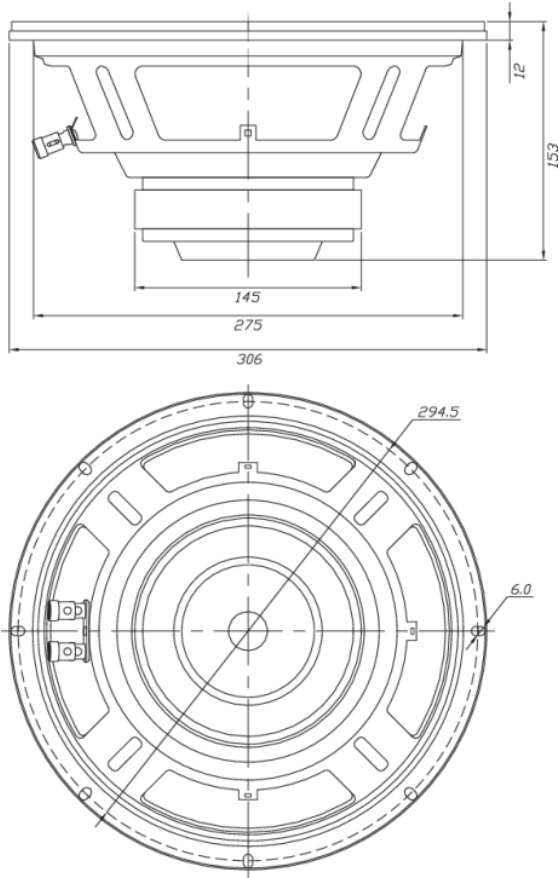




DCS305-4 12" Classic Subwoofer 4 Ohm

DCS305-4



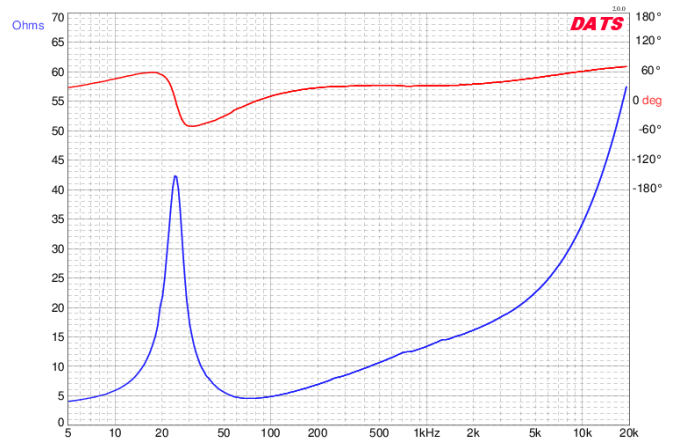
PARAMETERS

Impedance	4 ohms
Re	3.3 ohms
Le	2.06 mH @ 1 kHz
Fs	24.2 Hz
Qms	5.07
Qes	0.43
Qts	0.40
Mms	160g
Cms	0.27 mm/N
Sd	498.8 cm ²
Vd	468.8 cm ³
BL	13.7 Tm
Vas	92.3 liters
Xmax	9.3 mm
VC Diameter	65.5 mm
SPL	90.5 dB @ 2.83V/1m
RMS Power Handling	250 watts
Usable Frequency Range (Hz)	23 - 200 Hz

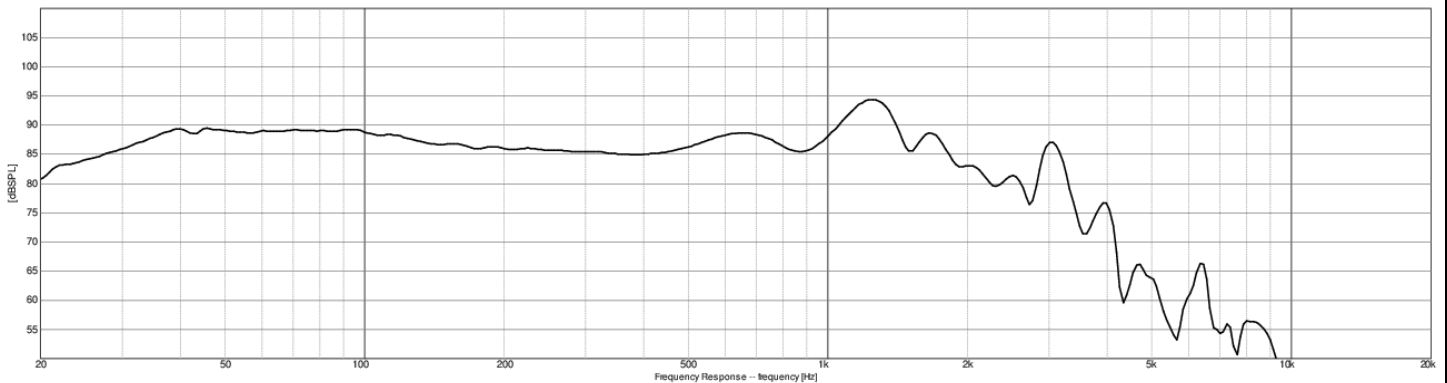
FEATURES

- Sturdy stamped steel frame
- Vented pole piece and bumped back plate
- Inductance-reducing copper pole piece cap
- Treated non-pressed paper/Kevlar cone with rubber surround
- 4-layer VC with polyimide former

IMPEDANCE/PHASE



FREQUENCY RESPONSE



Note: 1/12th octave smoothing - nearfield response included in graph below 450 Hz.

Black = 0°