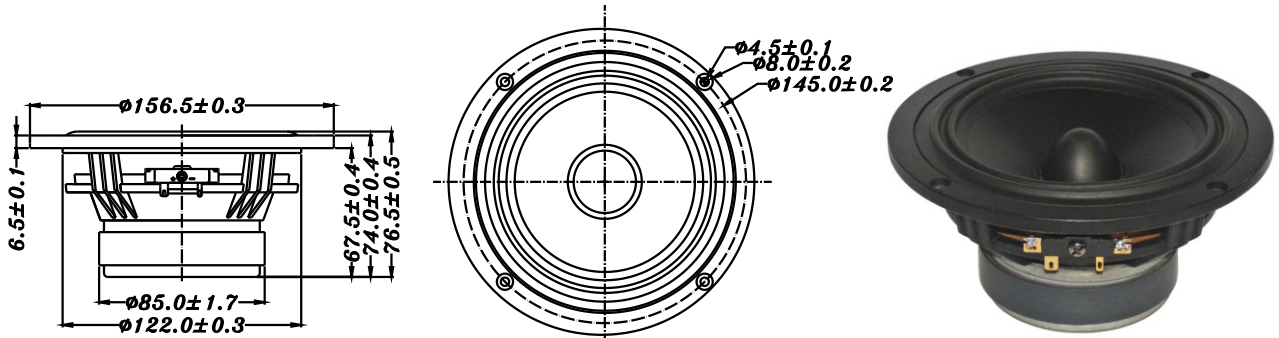


# PM SERIES

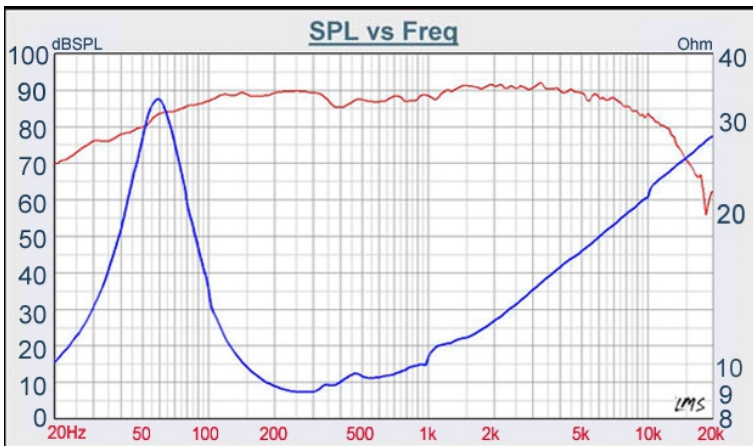
# W5-704D



- TWIN ROLL RUBBER SURROUND
- EXTREMELY LINEAR EXCURSION DESIGN
- PPM CONE WITH TWIN ROLL SHAPE RUBBER SURROUND
- DIE CAST BASKET, PPM PHASE PLUG
- INTENDED FOR BASS REFLEX ENCLOSURES
- VENTED POLE PIECE
- DURABLE CONEX SPIDER

## 5" PPM WOOFER

DIAPHRAGM MTL	PPM
SURROUND MTL	Twin Roll Rubber
NOMINAL IMPEDANCE	8 Ω
DCR IMPEDANCE	6 Ω
SENSITIVITY 1W/1m	88 dB
FREQUENCY RESPONSE	55 -9 K Hz
FREE AIR RESONANCE	55 Hz
VOICE COIL DIAMETER	25 mm
AIR GAP HEIGHT	6 mm
RATED POWER INPUT	28 W
MAXIMUM POWER INPUT	56 W
FORCE FACTOR, BL	6.17 TM
TYPE OF MAGNET	Ferrite
MOVING MASS	7.98 g
FERROFLUID ENHANCED	No
SUSPENSION COMPLIANCE	922.088 uMN <sup>-1</sup>
EFFECTIVE PISTON AREA	0.0094 M <sup>2</sup>
Levc	0.063 mH
Zo	33 Ω
X-max	3.3 mm
Vas	11.57 Litr
Qts	0.38
Qms	2.07
Qes	0.46



VOICE:886.2.26570282 FAX:886.2.26580166  
E-MAIL :info@tb-speaker.com