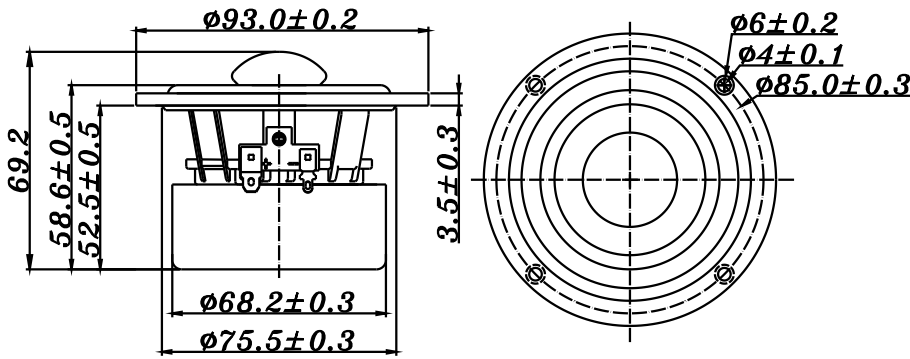


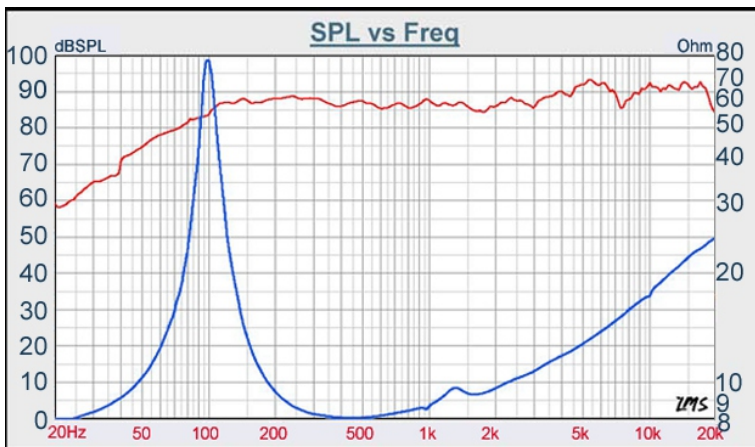
F SERIES

W3-517SB



- UNDERHUNG DESIGN
- FULL RANGE FREQUENCY RESPONSE
- DIE CAST BASKET
- PAPER CONE WITH SANTOPRENE SURROUND
- MAGNETICALLY SHIELDED
- SPECIAL PHASE PLUG DESIGN

3" PAPER CONE/ FULL RANGE



DIAPHRAGM MTL	Paper
SURROUND MTL	Santoprene
NOMINAL IMPEDANCE	8 Ω
DCR IMPEDANCE	6.6 Ω
SENSITIVITY 1W/1m	87 dB
FREQUENCY RESPONSE	100 - 19K Hz
FREE AIR RESONANCE	100 Hz
VOICE COIL DIAMETER	20.4 mm
AIR GAP HEIGHT	4 mm
RATED POWER INPUT	12 W
MAXIMUM POWER INPUT	25 W
FORCE FACTOR, BL	3.25 TM
TYPE OF MAGNET	Ferrite
MOVING MASS	1.75 g
FERROFLUID ENHANCED	No
SUSPENSION COMPLIANCE	1489 μMN^{-1}
EFFECTIVE PISTON AREA	0.0032 M^2
Levc	0.71 mH
Zo	78 Ω
X-max	1.20 mm
Vas	2.17 Litr
Qts	0.62
Qms	7.51
Qes	0.68

TB SPEAKERS

VOICE: 886.2.26570282 FAX: 886.2.26580166
E-MAIL: info@tb-speaker.com