

Fullrange-woofer

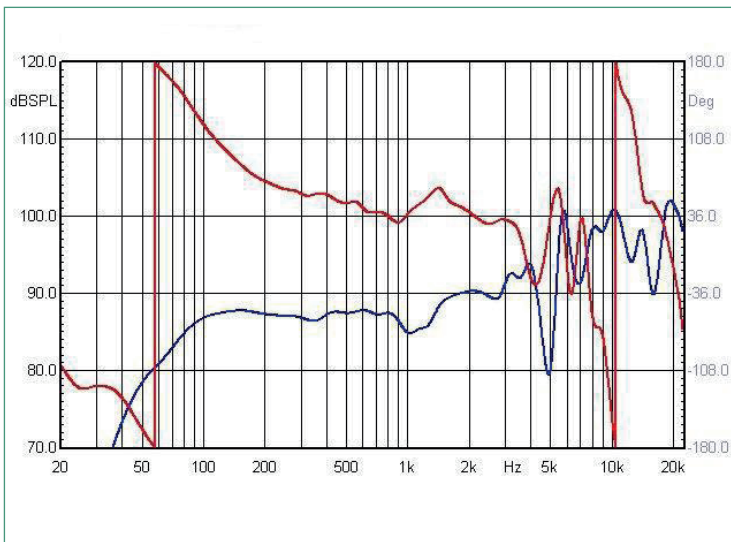
# AX-05

## Features

- 5" Fullrange Loudspeaker
- Article no. 1381650



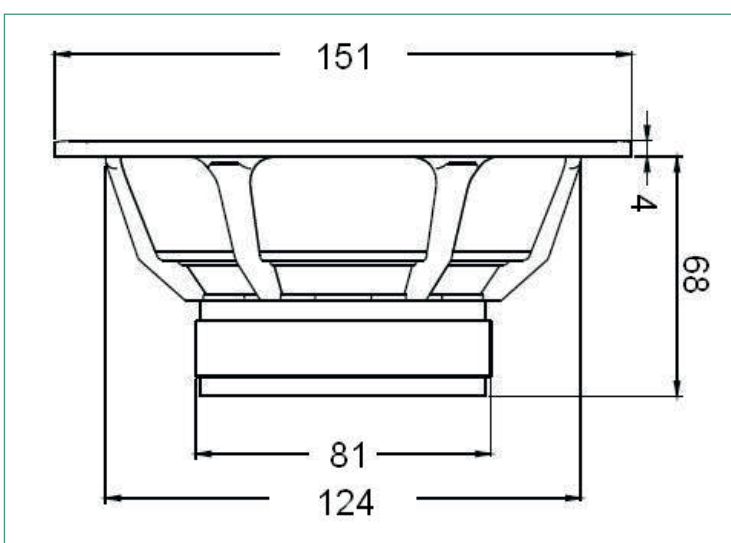
## Frequency response (0° & 30°), Impedance curve



## Technical specifications

Frequency range	Hz
Nominal impedance	8 Ω
Cone	Kevlar paper Mix
Surround material	Tissue
Basket material	Aluminium
Magnet material	Ferrite
Voice coil diameter	25,5 mm
Voice coil former	capton
Outside diameter	151 mm
Build in hole diameter	124 mm
Build in depth	68 mm
SPL (1W/1M)	89,3

## Mechanical drawing



## Thiele and Small parameters

	Value	Symbol
$f_s$	68	Hz
VAS	10,7	L
QMS	5,46	-
QES	0,62	-
QTS	0,56	-
$R_e$	6	Ω
$S_d$	85	cm <sup>2</sup>
$C_{ms}$	1,06	247 μm/N
$M_{ms}$	5,2	g
LE	0,08	VC/mH
BL	4,6	(NA) (F/l)