



ST 1308

**Supreme Tweeter,
Ø 130mm, 8Ω, offstet dome**



SPECIFICATIONS

General Data		
Overall Dimensions	DxH	130 mm (5.12") x 40mm (1.57")
Nominal Power Handling (DIN)	P	220W/12dB
Transient Power 10ms		1000W
Sensitivity 1W/1M		91.5dB SPL
Frequency Response		1400-22K
Cone/Dome Material		Acuflex™ hand coated soft dome
Net Weight	Kg	0.52

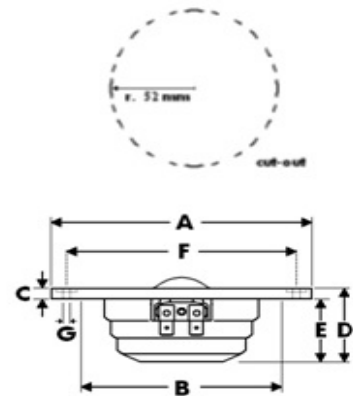
Electrical Data		
Nominal Impedance	Z	8Ω
DC Resistance	Re	5.2Ω
Voice Coil Inductance @ 1KHz	LBM	0.09mH

Voice Coil and Magnet Parameters		
Voice Coil Diameter	DIA	28mm
Voice Coil Height		2.7mm
HE Magnetic Gap Height	HE	4.2mm
Max. Linear Excursion	X	
Voice Coil Former		Aluminum
Voice Coil Wire		Hexatech™ Aluminum
Number Of Layers		2
Magnet System Type		Neodymium Flat Pancake
B Flux Density	B	1.8 T
BL Product	BXL	

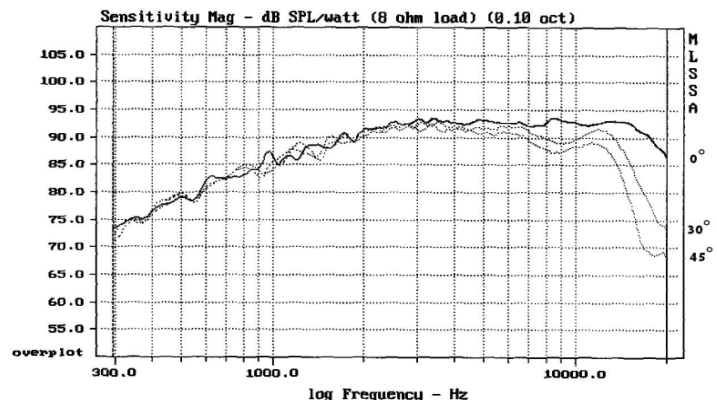
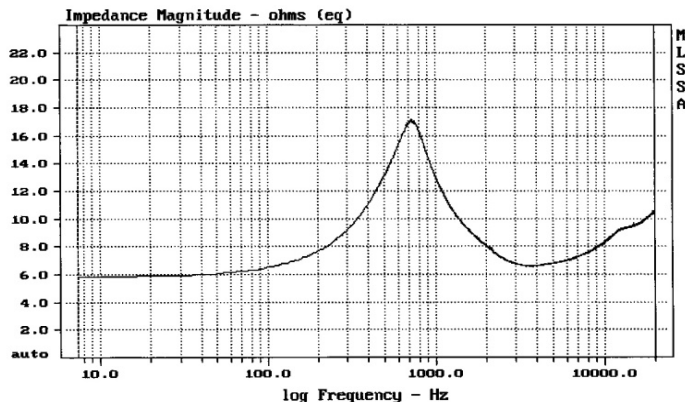
T-S Parameters		
Suspension Compliance	Cms	
Mechanical Q Factor	Qms	
Electrical Q Factor	Qes	
Total Q Factor	Qts	
Mechanical Resistance	Rms	
Moving Mass	Mms	0.44 g
Eq. Cas Air Load (liters)	VAS	
Resonant Frequency	Fs	680 Hz ±10%
Effective Piston Area	SD	6.0 cm ²

- ## Features
- * Underhung voice coil
 - * Large Hexatech™ aluminum voice coil
 - * 130 mm offset dome aluminum face plate
 - * Replaceable Acuflex™ dome / coil assembly
 - * Neodymium flat pancake design magnet
 - * High power handling

Unit Dimensions



A - Overall diameter	130mm
B - Cut out diameter	104mm
C - Flange thickness	5mm
D - Overall height	40mm
E - Magnet/Chamber depth	35mm
F - Mounting holes location diameter	118mm
G - 6 Mounting holes, at 60° interval, inner hole diameter	Ø 3.7mm
pocket	h 1.5mm, Ø 8mm



This model replaces former Morel Supreme-130 model.

Morel operate policy of continuous product design improvement, consequently specifications are subject to alteration without prior notice.