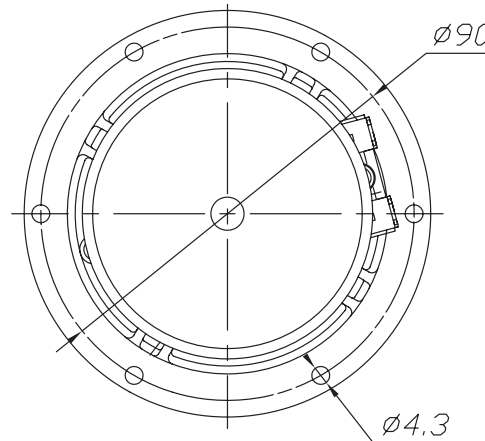
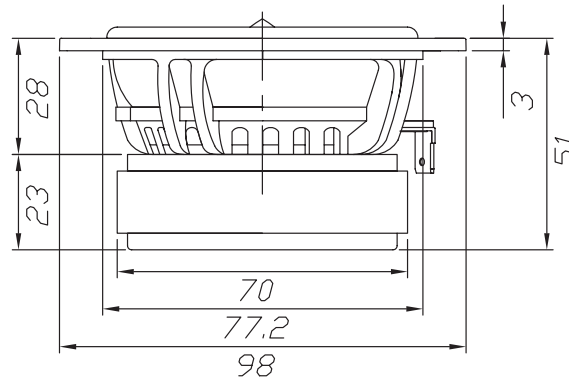


# RS100-8

# 4" Reference Full-Range Driver



Note: All dimensions in mm.

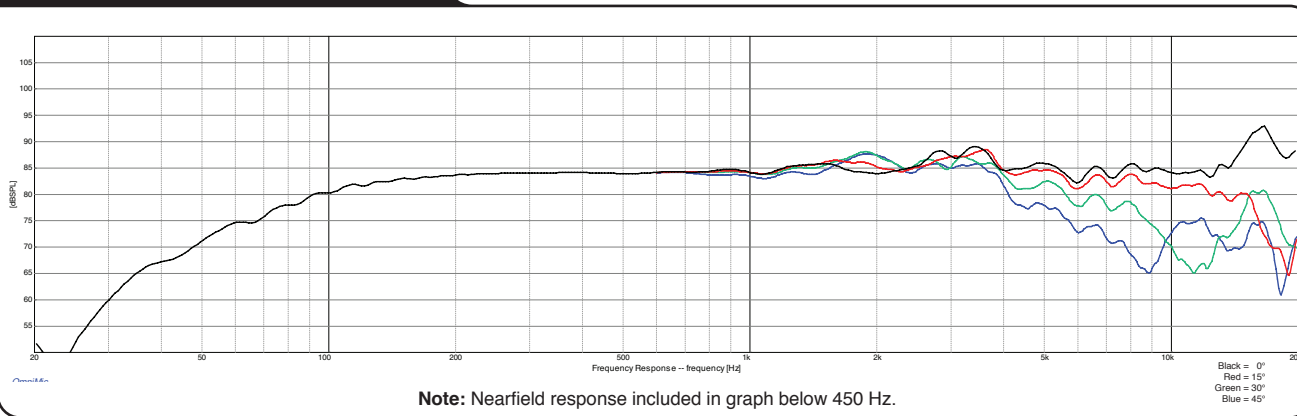
## Parameters

Impedance ( $\Omega$ )	8
Re ( $\Omega$ )	6.39
Le (mH) @ 1 kHz	0.49
Fs (Hz)	90
Qms	2.37
Qes	0.76
Qts	0.58
Mms (g)	3.63
Cms (mm/N)	0.82
Sd (cm <sup>2</sup> )	35.3
Vd (cm <sup>3</sup> )	12.4
BL (Tm)	4.2
VAS (liters)	1.43
XMAX (mm)	3.5
VC Diameter (mm)	25
SPL (dB 2.83V/1m)	83.9
RMS Power Handling (w)	30
Usable Frequency Range (Hz)	90-20,000

## Features

- Lightweight black anodized aluminum cone
- Attractive 6-hole cast frame
- Advanced low distortion motor design
- Solid aluminum phase plug
- Rubber surround
- Full-range capability

## Frequency Response



## Impedance/Phase

