

Mid-woofer

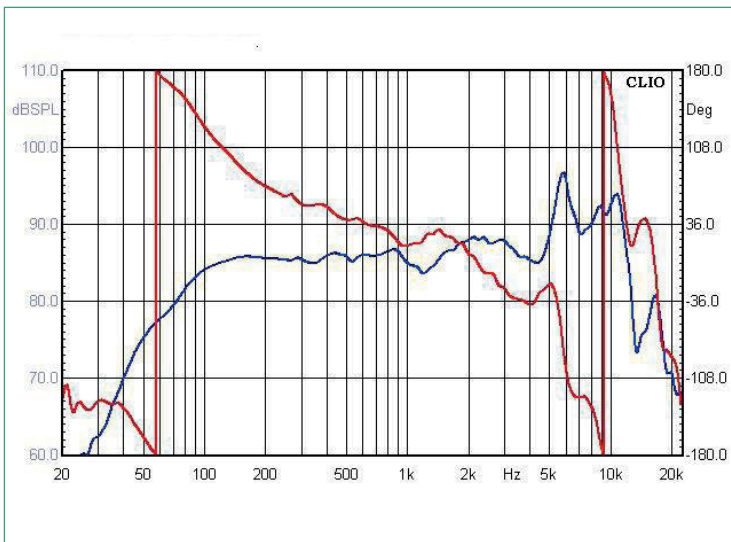
AXT-05

Features

- 5" high-performance loudspeaker driver
- low-distortion motor system
- high excursion capabilities
- heavy-duty 6-hole cast frame
- low-loss



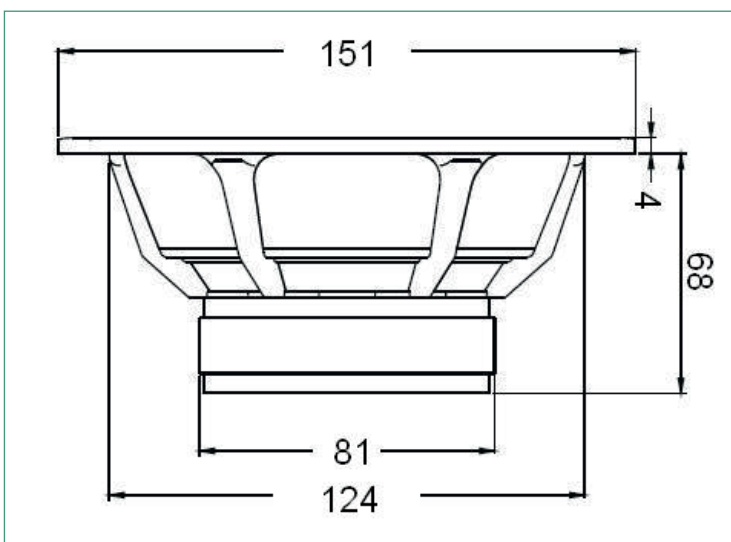
Frequency response (0° & 30°), Impedance curve



Technical specifications

Frequency range	Hz
Nominal impedance	8 Ω
Cone	Kevlar-Paper
Surround material	Rubber
Basket material	Aluminium
Magnet material	Ferrite
Voice coil diameter	25,4 mm
Voice coil former	capton
Outside diameter	151 mm
Build in hole diameter	124 mm
Build in depth	68 mm
SPL (1W/1M)	89,7

Mechanical drawing



Thiele and Small parameters

	Value	Symbol
f_s	71	Hz
VAS	7,2	L
QMS	6,55	-
QES	0,44	-
QTS	0,41	-
R_e	6,2	Ω
S_d	88	cm ²
C_{ms}	0,66	247 μm/N
M_{ms}	7,6	g
LE	0,4	VC/mH
BL	6,94	(NA) (F/l)