

Mid-woofer

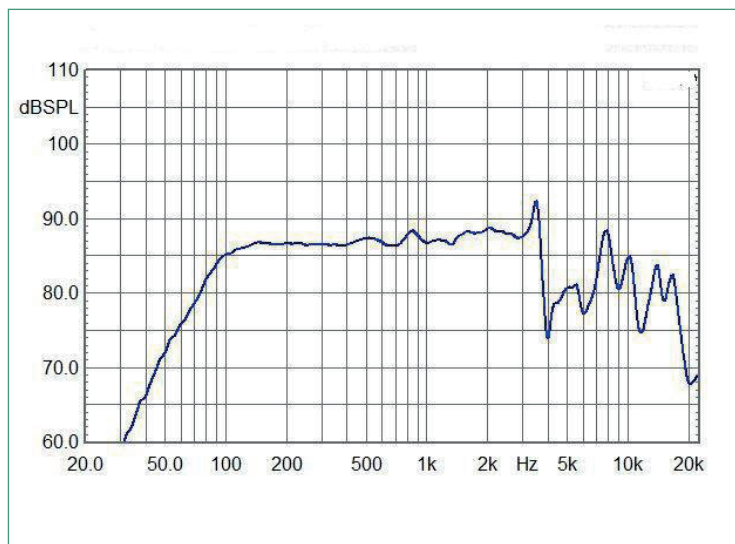
W115-4

Features

- 115mm 4 Ω loudspeaker
- great audio fidelity and superior price
- stamped steel frame with profile lip
- designed for front mounting or countersinking
- coated paper cone
- smooth frequency response and linear roll-off
- simplify filter design



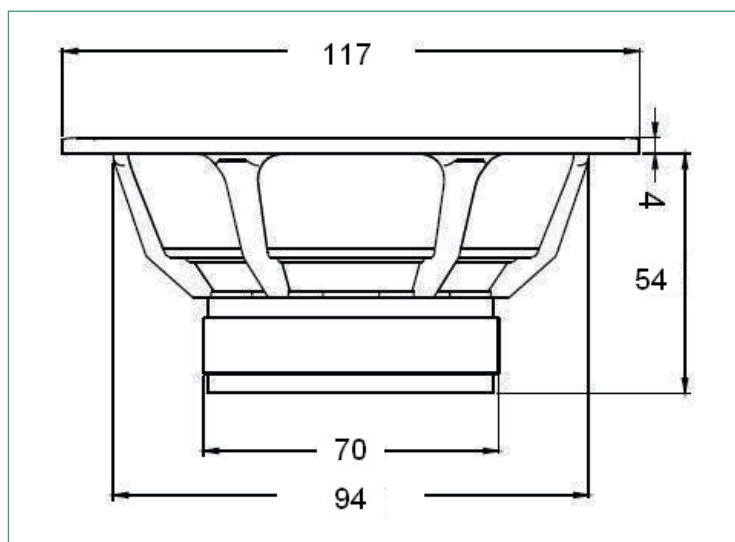
Frequency response (0° & 30°), Impedance curve



Technical specifications

Frequency range	Hz
Nominal impedance	4 Ω
Music (W)	130
Nominal (W)	40
Cone	Paper
Surround material	Rubber
Basket material	Steel
Magnet material	Ferrite
Outside diameter	116 mm
Build in hole diameter	92 mm
Build in depth	53 mm
SPL (1W/1M)	87

Mechanical drawing



Thiele and Small parameters

	Value	Symbol
fs	85	Hz
VAS	2,7	L
QMS	2,56	–
QES	0,62	–
QTS	0,4	–
Re	3,5	Ω
LE	–	VC/mH
BL	–	(NA) (F/l)