

# ***Alpair 12PW Gen.1***

## ***Bass-Wide Band Audio Driver***

***The Alpair 12PW is a audiophile grade paper and glass strand re-enforced coned bass-mid driver. Along with its Full-Range sisters drivers, 6P,10P and 12P, the Alpair 12PW is designed for the Serious music listener. The 12PW's relatively flat response is designed to deliver a neutral sound. The mid-high range gradually falls away above 10kHz.***

***The development of this driver follows its Full-Range sister unit, the Alpair 12P. Both drivers are Semi-Free-To-Air designs, relying solely on their rear suspensions for mechanical operation. The Alpair 12PW has a re-enforced rear suspension and a new coil to enable handling of typical audiophile low frequency loads (not constant low frequency loads).***

***The 12PW has a long mechanical throw, limited by its Arrestor to 8.5mm (1 way). This driver is a low-mass design, its power-train has a moving mass of 11.7 grams yet delivers a Vas of 45 litres with a total Q of 0.39, making it ideal for larger scale purist box designs.***

***An all-new computer controlled bonding process is deployed on this driver, delivering ultra tight tolerances in critical parts of the 12PW's power-train assembly. !***

***The 12PW is primarily designed to be partnered with the Alpair 7P yet will also be a excellent partner for many tweeters. The marriage between 7P and 12PW promises much in the way of deep rich bass and fine mid-high range detail.***

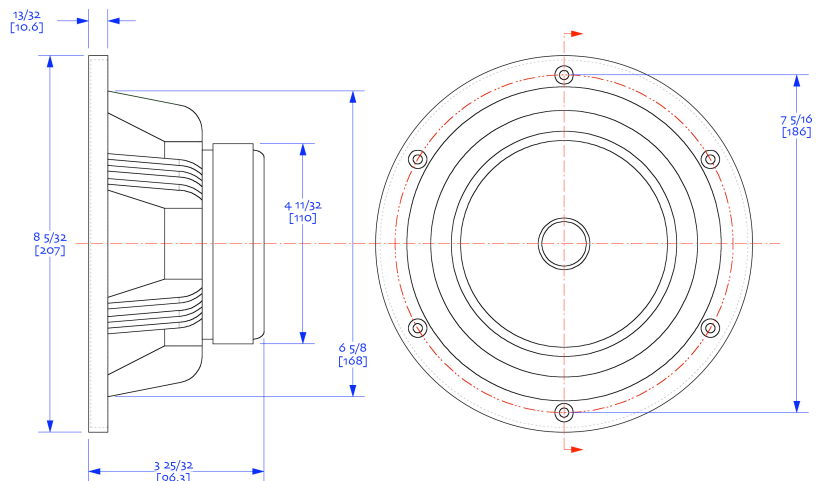
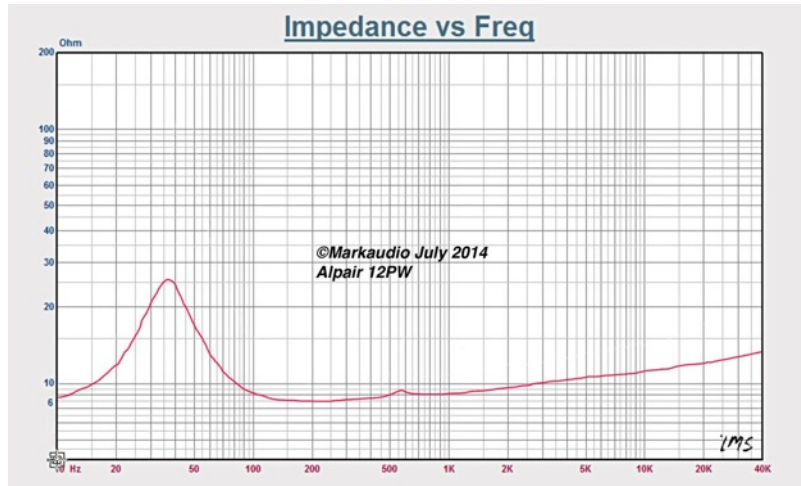
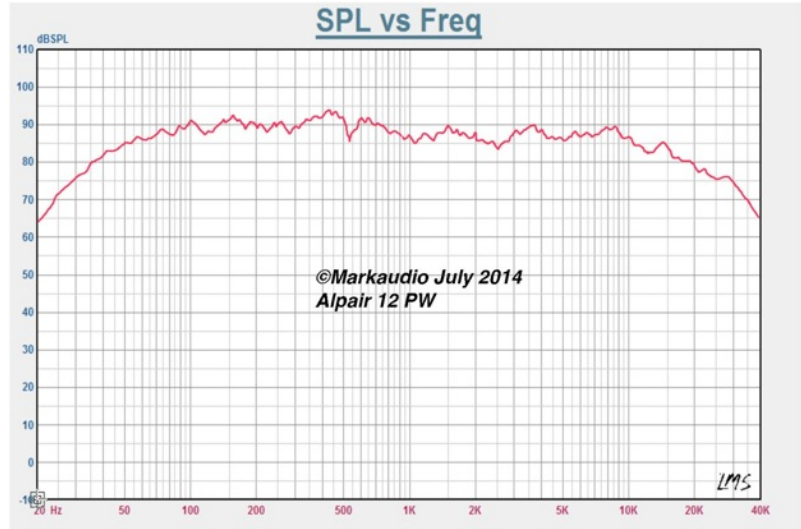


**Running In: First 100 hours low volume background mixed music, no heavy bass. Gradually increase to normal operating levels from 100 hours onwards.**

**The 12PW is a "light duty" driver. Max throw = 8.5mm (1 way) limited by Arrestor.**

**Keep the cone surface away from direct sun-light or any UV source.**

<b>Revc= 5.400 Ohm</b>
<b>Fo= 38.426 Hz</b>
<b>Sd= 147.411 cm</b>
<b>Vas= 45.292 Ltr</b>
<b>Cms= 1.468m M/N</b>
<b>Mmd= 10.658 g</b>
<b>Mms= 11.687 g</b>
<b>BL= 5.308 TM</b>
<b>Qms= 1.440</b>
<b>Qes= 0.541</b>
<b>Qts= 0.393</b>
<b>Levc= 49.302u H</b>
<b>No= 0.460 %</b>
<b>SPLo= 88.641 dB</b>
<b>Pwr=40 watts Nom.</b>
<b>X max= 8.5mm (1 way)</b>



Gasket is 2 mm thick uncompressed, 1.5+mm compressed

