

Fullrange-woofer

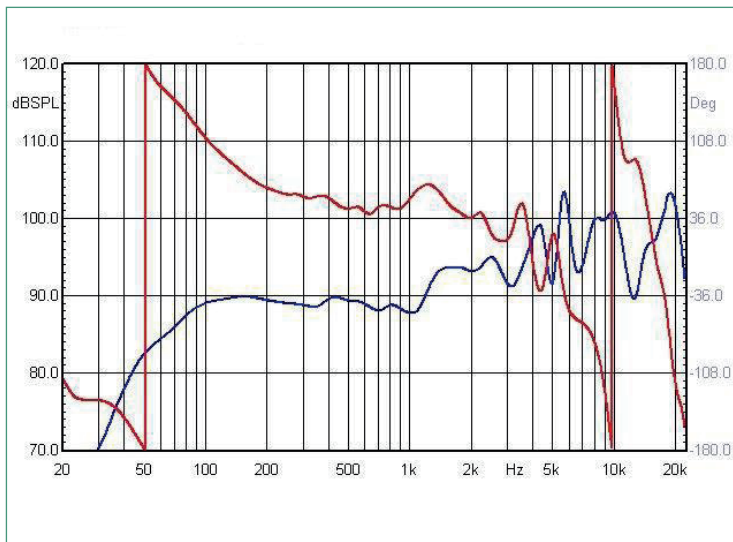
AX-06

Features

- 6" Fullrange Loudspeaker
- Article no. 1381660



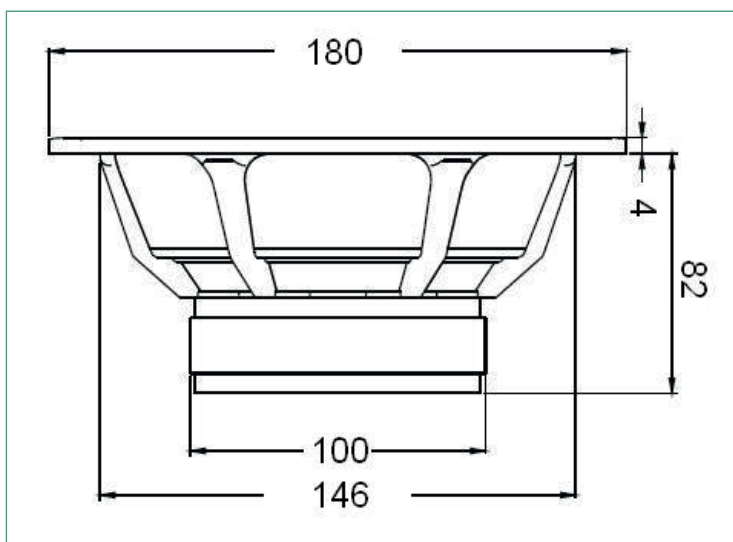
Frequency response (0° & 30°), Impedance curve



Technical specifications

Frequency range	Hz
Nominal impedance	8 Ω
Cone	Kevlar-Paper
Surround material	Tissue
Basket material	Aluminium
Magnet material	Ferrite
Voice coil diameter	25 mm
Voice coil former	capton
Outside diameter	180 mm
Build in hole diameter	146 mm
Build in depth	82 mm
SPL (1W/1M)	91,6

Mechanical drawing



Thiele and Small parameters

	Value	Symbol
f_s	54	Hz
VAS	28,29	L
QMS	6,77	-
QES	0,49	-
QTS	0,46	-
R_e	5,9	Ω
S_d	133	cm ²
C_{ms}	1,15	247 μm/N
M_{ms}	7,5	g
LE	-	VC/mH
BL	5,5	(NA) (F/l)