

Tweeter

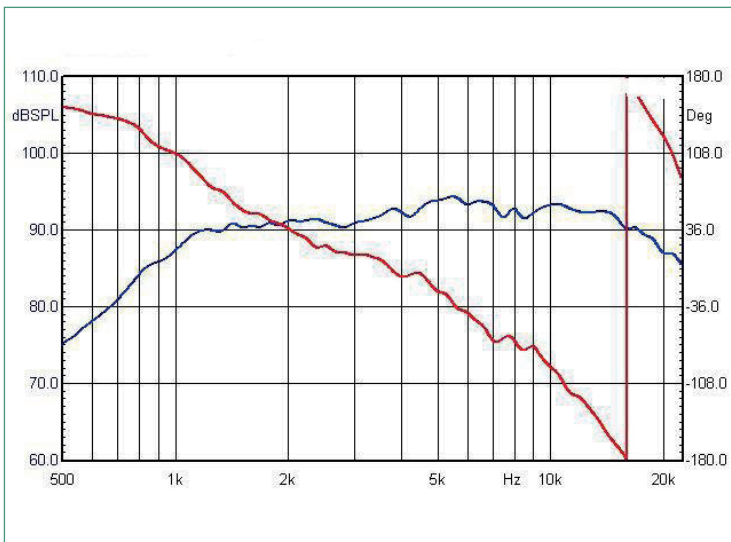
GDT104-N

Features

- dome tweeter with 104 mm diameter
- flat horn shaped frontpanel design
- Article no. 1381639



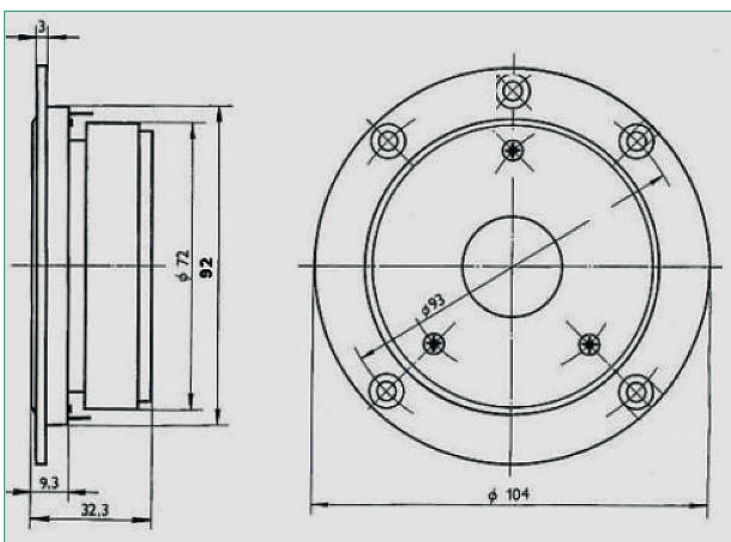
Frequency response (0° & 30°), Impedance curve



Technical specifications

Frequency range	Hz
Nominal impedance	6 Ω
Music (W)	110
Nominal (W)	40
Dome	Tissue
Surround material	-
Basket material	Plastic
Magnet material	Ferrite
Outside diameter	104 mm
Build in hole diameter	70 mm
Build in depth	28 mm
SPL (1W/1M)	92

Mechanical drawing



Thiele and Small parameters

	Value	Symbol
f_s	1500	Hz
VAS	-	L
QMS	-	-
QES	-	-
QTS	-	-
R_e	-	Ω
LE	-	VC/mH
BL	-	(NA) (F/l)