

Mid-woofer

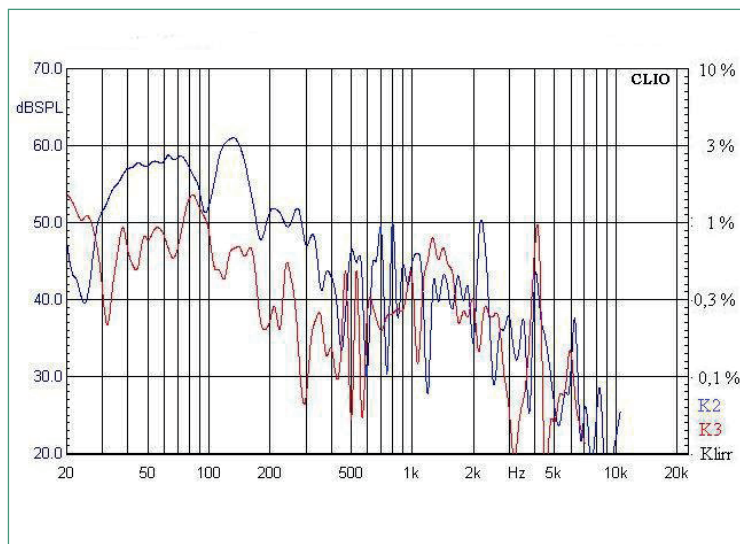
GDS182

Features

- 7" loudspeaker GDS 182PP midrange-woofer
- Article no. 1381650



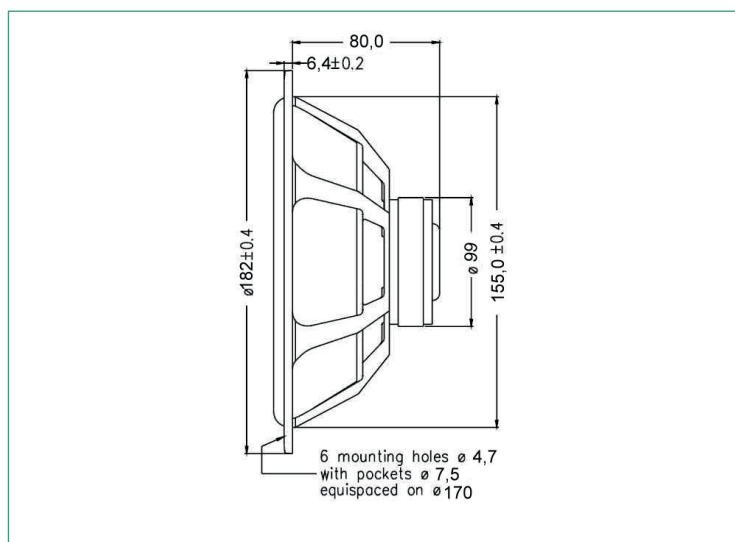
Frequency response (0° & 30°), Impedance curve



Technical specifications

Frequency range	40–3000 Hz
Nominal impedance	Ω
Cone	Polypropylen
Surround material	Rubber
Basket material	Aluminium
Magnet material	Ferrite
Voice coil diameter	26 mm
Voice coil former	capton
Outside diameter	182 mm
Build in hole diameter	155 mm
Build in depth	80 mm
SPL (1W/1M)	87,70

Mechanical drawing



Thiele and Small parameters

	Value	Symbol
f_s	37,5	Hz
VAS	29,9	L
QMS	2,73	–
QES	0,43	–
QTS	0,37	–
R_e	5,3	Ω
S_d	137	cm ²
C_{ms}	1,15	247 μm/N
M_{ms}	15,7	g
LE	0,36	VC/mH
BL	–	(NA) (F/I)