

Mid-woofer

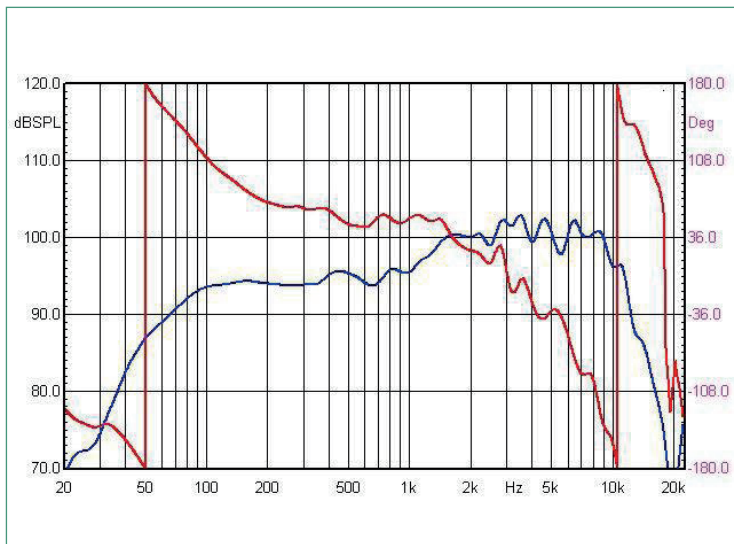
AXP-08

Features

- 8" loudspeaker driver
- high-efficiency performance high sensitivity
- lightweight, reinforced paper cone for excellent detail
- heavy-duty 6-hole cast frame
- gold terminals



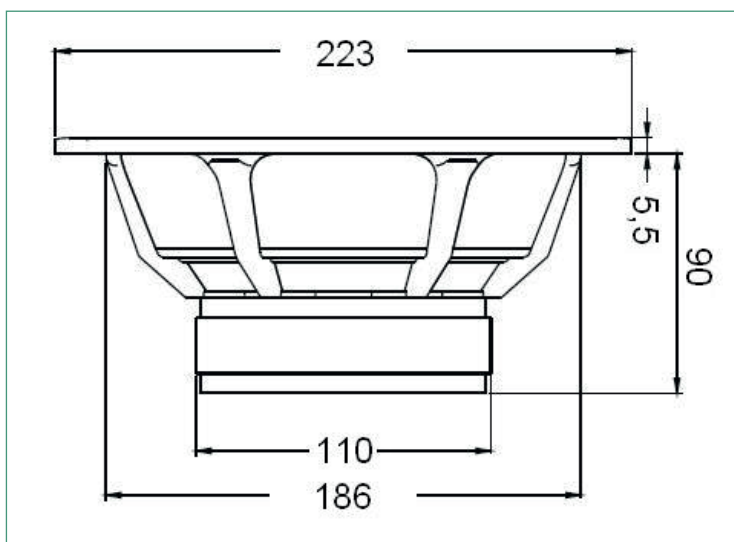
Frequency response (0° & 30°), Impedance curve



Technical specifications

Frequency range	Hz
Nominal impedance	8 Ω
Cone	Coated paper
Surround material	Tissue
Basket material	Aluminium
Magnet material	Ferrite
Voice coil diameter	25,5 mm
Voice coil former	capton
Outside diameter	223 mm
Build in hole diameter	186 mm
Build in depth	90 mm
SPL (1W/1M)	93,2

Mechanical drawing



Thiele and Small parameters

	Value	Symbol
f_s	52	Hz
VAS	46,6	L
QMS	3,76	-
QES	0,49	-
QTS	0,43	-
R_e	6,6	Ω
S_d	211	cm ²
C_{ms}	0,75	247 μm/N
M_{ms}	12,7	g
LE	0,24	VC/mH
BL	7,48	(NA) (F/l)