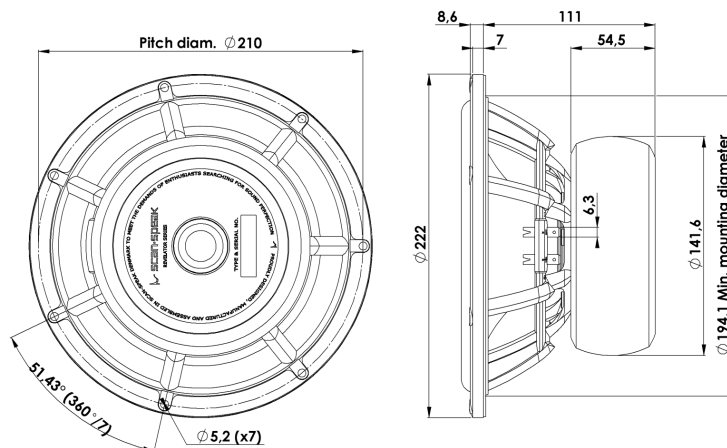


# REVELATOR

## WOOFER

## 22W/8851T00

The Revelator woofers and subwoofers features very rigid cones in paper or aluminium that operates as a piston over a wide frequency range, in combination with Scan-Speaks low-loss linear suspension and the patented Symmetrical Drive (SD-1) it results in very low distortion and a smooth and well behaved frequency response as well as perfect transient reproduction.



### KEY FEATURES:

- Patented Symmetrical Drive Motor Design
- Low-Loss linear suspension
- Die cast Alu Chassis vented below spider
- Rigid Paper Cone
- Low Damping SBR Rubber Surround
- Ferrite Magnet System w. Rubber Boot

#### T-S Parameters

Resonance frequency [fs]	21 Hz
Mechanical Q factor [Qms]	5.10
Electrical Q factor [Qes]	0.26
Total Q factor [Qts]	0.25
Force factor [Bl]	9.9 Tm
Mechanical resistance [Rms]	0.80 kg/s
Moving mass [Mms]	31 g
Suspension compliance [Cms]	1.85 mm/N
Effective diaph. diameter [D]	167 mm
Effective piston area [Sd]	220 cm <sup>2</sup>
Equivalent volume [Vas]	126 l
Sensitivity (2.83V/1m)	88 dB
Ratio Bl/√Re	3.98 N/√W
Ratio fs/Qts	85 Hz

#### Notes:

IEC specs. refer to IEC 60268-5 third edition.  
All Scan-Speak products are RoHS compliant.  
Data are subject to change without notice.  
Datasheet updated: February 22, 2011.

#### Electrical Data

Nominal impedance [Zn]	8 Ω
Minimum impedance [Zmin]	7.2 Ω
Maximum impedance [Zo]	128 Ω
DC resistance [Re]	6.2 Ω
Voice coil inductance [Le]	0.35 mH

#### Power Handling

100h RMS noise test (IEC 17.1)	170 W
Long-term max power (IEC 17.3)	- W

#### Voice Coil and Magnet Data

Voice coil diameter	50 mm
Voice coil height	24 mm
Voice coil layers	2
Height of gap	6 mm
Linear excursion	± 9 mm
Max mech. excursion	± 14 mm
Unit weight	3.6 kg

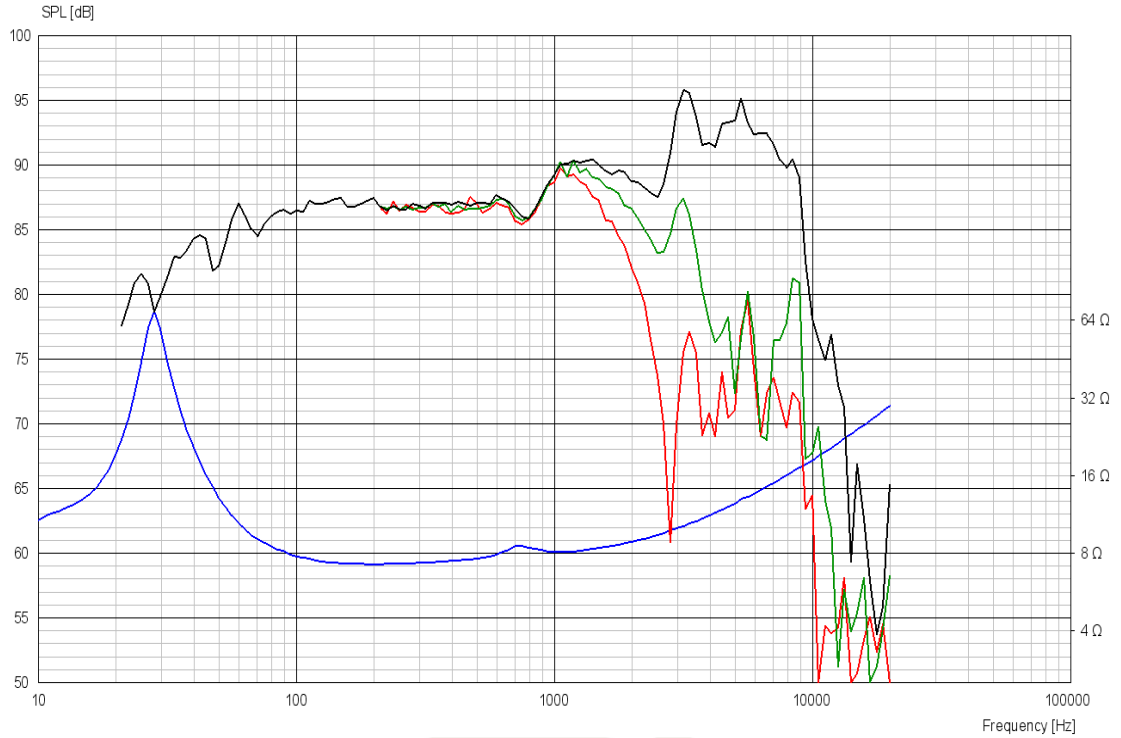




# REVELATOR

## WOOFER

## 22W/8851T00



### Advanced Parameters (Preliminary)



#### Electrical data:

Resistance [ $R_{e'}$ ]	- $\Omega$
Free inductance [ $L_{eB}$ ]	- mH
Bound inductance [ $L_e$ ]	- mH
Semi-inductance [ $K_e$ ]	- SH
Shunt resistance [ $R_{ss}$ ]	- $\Omega$

#### Mechanical Data

Force Factor [ $Bl$ ]	- Tm
Moving mass [ $M_{ms}$ ]	- g
Compliance [ $C_{ms}$ ]	- mm/N
Mechanical resistance [ $R_{ms}$ ]	- kg/s
Admittance [ $A_{ms}$ ]	- mm/N