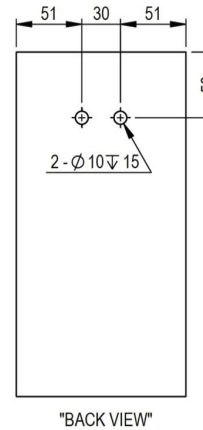
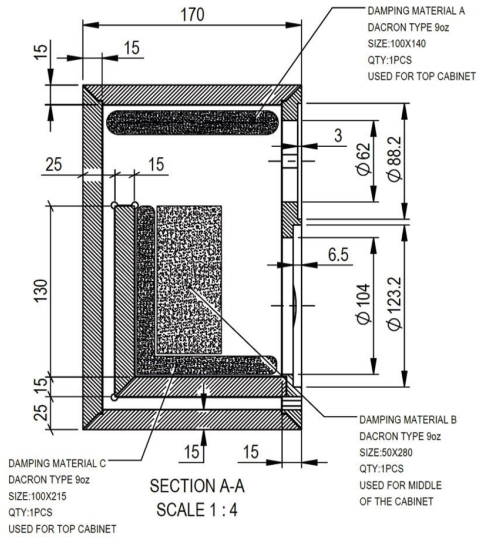
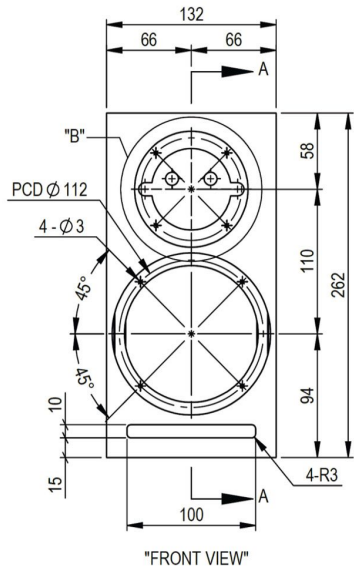


Mechanical drawing (size in mm) / Micro-C



Mechanical drawing (size in mm) / Micro

